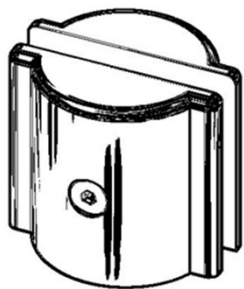
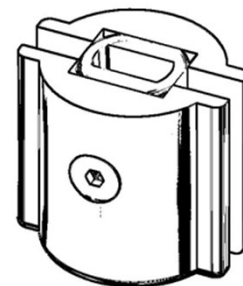


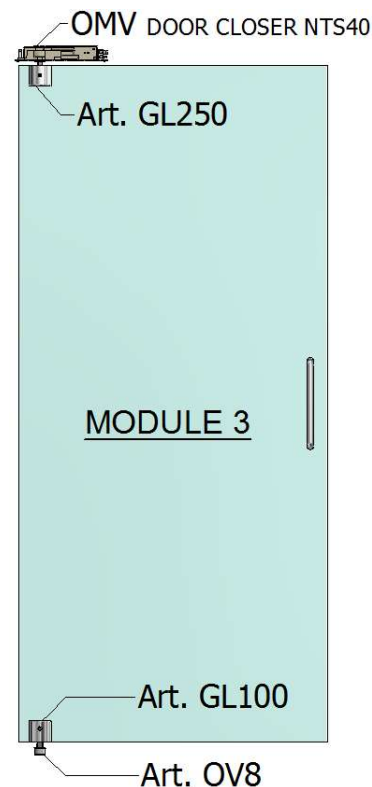
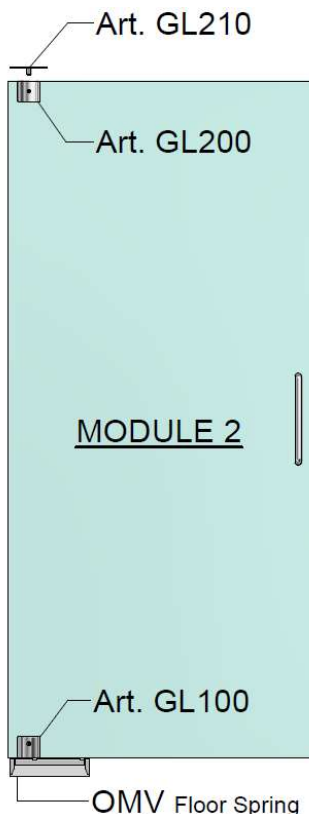
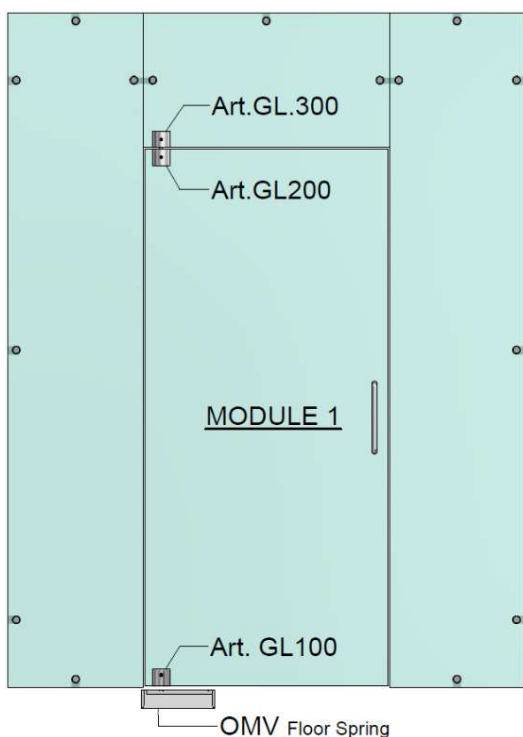
GLASS LINE



FOR DOORS UP TO 200 Kg
ALUMINIUM BODY ALLOY 600



MADE IN ITALY



Art. GL100

BOTTOM HINGE

Body Aluminium alloy 6000

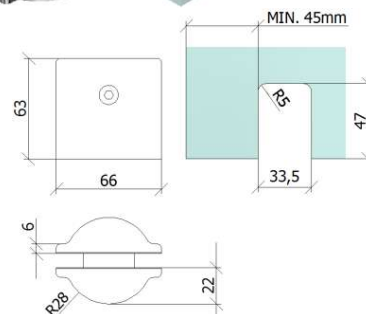
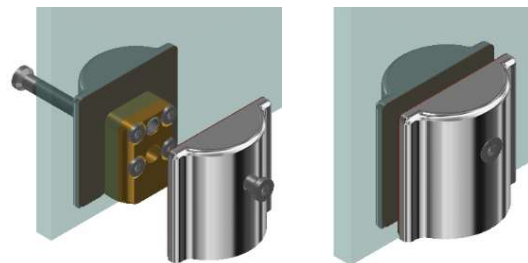
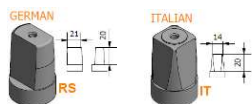
Bottom hinge for glass door, thickness 8mm÷16mm for doors up to 200 Kg.
Design versatile and innovative for various types of installations.
For right or left hinged glass doors or double action doors.

BOTTOM HINGE SYSTEM CAN BE USED:

- Art.OV8
- OMV floor spring
- Art.90100 pivot door

AVAILABLE BOTTOM PIVOT PATCH FOR:

- Italian spindle **IT**
- German spindle **RS**



ART.	PIVOT	FINISH
GL100-IT-A	ITALIAN	SILVER SATIN
GL100-IT-AS	ITALIAN	SILVER POLISHED
GL100-IT-OT	ITALIAN	BRASS POLISHED
GL100-RS-A	GERMAN	SILVER SATIN
GL100-RS-AS	GERMAN	SILVER POLISHED
GL100-RS-OT	GERMAN	BRASS POLISHED

GL200 TOP HINGE

Body Aluminium alloy 6000

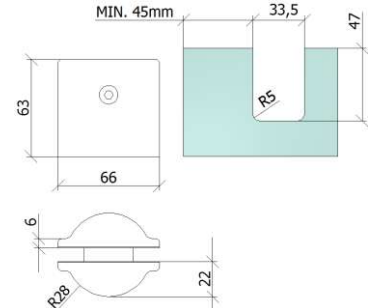
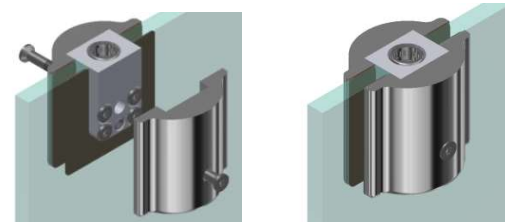
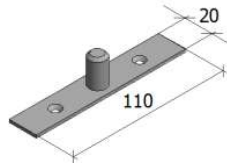
Top hinge for glass door with bearing $\varnothing 12$, thickness 8mm+16mm for doors up to 200Kg.
Design is versatile and innovative for various types of installations.
For right or left hinged glass doors or double action doors.

TOP HINGE SYSTEM CAN BE USED TO:

- **Art.AC210** the wall pin
- **Art.GL300** transom link fitting

ART.	FINISH
GL200-A	SILVER SATIN
GL200-AS	SILVER POLISHED
GL200-OT	BRASS POLISHED
AC210	S.STEEL 304

ACCESSORY: **ART.AC210**
WALL PIN $\varnothing 12$ S. STEEL 304



Art. GL250

TOP HINGE FOR NTS40 DOOR CLOSER

Body Aluminium alloy 6000

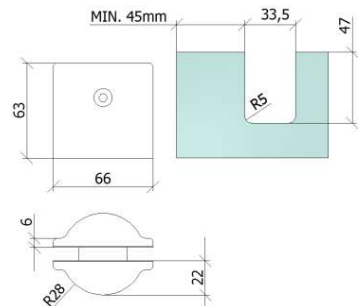
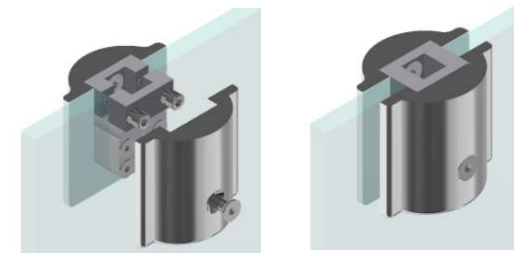
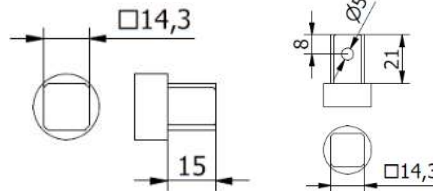
Top hinge for glass door with bearing $\varnothing 12$, thickness 8mm+16mm for doors up to 200Kg.
Design is versatile and innovative for various types of installations.
For right or left hinged glass doors or double action doors.

TOP HINGE SYSTEM IS USED TO:

- **Art. NTS40** HIDDEN DOOR CLOSER PIVOT 14mm PARALLEL

ART.	FINISH
GL250-A	SILVER SATIN
GL250-AS	SILVER POLISHED
GL250-OT	BRASS POLISHED

SPINDLES NTS40:



Art. GL300

TRANSOM LINK FITTING

Body Aluminium alloy 6000

Transom link fitting for glass door with pin $\varnothing 12$, thickness 8mm+16mm
Design is versatile and innovative for various types of installations.
For right or left hinged glass doors or double action doors.

TOP HINGE SYSTEM IS USED TO:

- **Art.GL200** TOP HINGE

ART.	PIN	FINISH
GL300-N-A	ADJUSTABLE	SILVER SATIN
GL300-N-AS	ADJUSTABLE	SILVER POLISHED
GL300-N-OT	ADJUSTABLE	BRASS POLISHED
GL300-F-A	FIXED	SILVER SATIN
GL300-F-AS	FIXED	SILVER POLISHED
GL300-F-OT	FIXED	BRASS POLISHED

