

# Art. GTS48C

## GATE CLOSER CAM ACTION

- CAM-ACTION TECHNOLOGY, ENSURES LOW OPENING FORCES AND STRONG CLOSING, ENABLING EASE OF USE.
- DESIGNED WITH SLIDING ARM. EXCLUSIVE IN ITS GENRE THE STRONG CONNECTION BETWEEN ARM AND DOOR CLOSER SPINDLE ENSURE STABILITY AND PRECISION DURING THE TIME.
- EXCELLENT FINAL SPEED EFFECT TO EVERY INSTALLATION POSITION.
- INITIAL SPEED AND FINAL SPEED ARE CONTROLLED BY TWO INDEPENDENTLY VALVES.



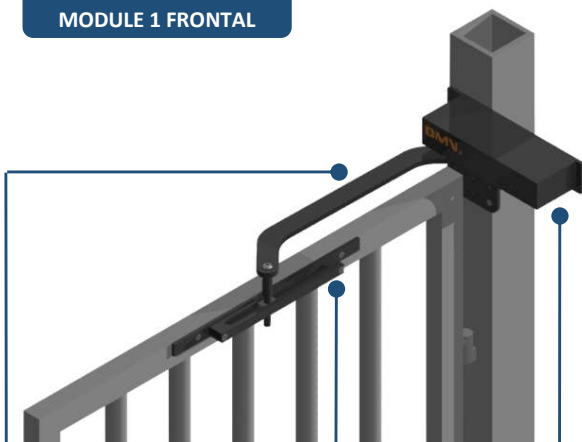
• THERMOSTATIC OIL -18°C +50°C

• THERMOSTATIC HYDRAULIC OIL, TESTED TO ENSURE STABILITY WHEN TEMPERATURE VARIES

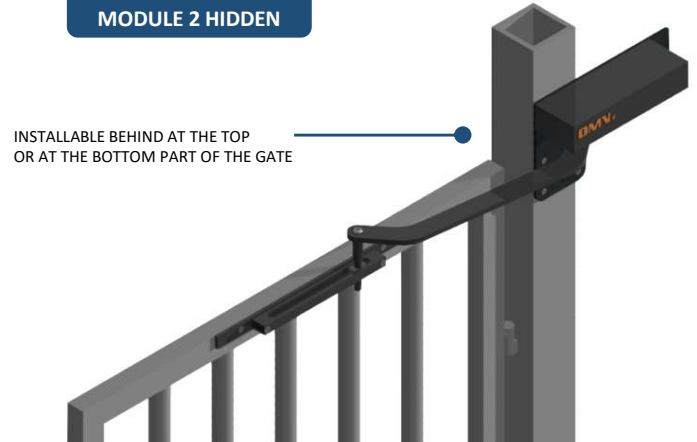
- SUITABLE FOR HIGH TRAFFIC OF ENTRANCE THANKS TO ITS STRONG STRUCTURE.
- PATENTED AND TESTED ACCORDING TO THE EUROPEAN STANDARD UNI-EN 1154:2003

## TECHNICAL FEATURES:

INSTALLATION  
MODULE 1 FRONTAL



INSTALLATION  
MODULE 2 HIDDEN



INSTALLABLE BEHIND AT THE TOP  
OR AT THE BOTTOM PART OF THE GATE

- ROBUST STRUCTURE PLATED TO RESIST CORROSION
- METAL CARTER WITH MAGNETIC HOLD POSITION

- SLIDING GUIDE IN ALUMINIUM ANODISED
- SLIDING GUIDE STANDARD RACE 220 mm
- LONG SLIDING GUIDE RACE 330 mm
- WITH AC70 ACCESSORY FOR GUIDE RAIL FAST FIXING ON THE GATE PROTRUDING BARS

- CONNECTION BETWEEN ARM AND DOOR CLOSER SPINDLE ENSURES STABILITY AND PRECISION TO THE FINAL SPEED CLOSING
- FIXED SPINDLE IN STEEL TEMPERED
- THE CONNECTION SPINDLE/ARM ALLOWS THE INSTALLATION TO THE EVERY POSITION

## CONTENTS:

- REVERSIBLE FOR GATE OPENING RIGHT HAND OR LEFT HAND
- AVAILABLE IN 3 COLORS: **BLACK RAL 90017** – **SILVER RAL 9006** - **WHITE RAL 90100**
- INTERCHANGEABLE WITH MOST PRODUCTS WIDESPREAD ON THE MARKET

# Art. GTS48C

## GATE CLOSER ARTICLES

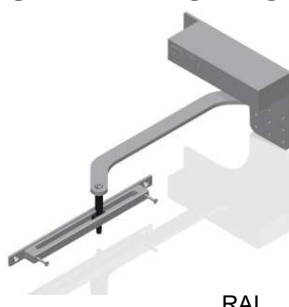
| ARTICLE                                     | DESCRIPTION                           | GATE NON-PANELLED WIDTH | GATE PANELLED WIDTH | FORCE         | COLOR                    |
|---|---------------------------------------|-------------------------|---------------------|---------------|--------------------------|
| GTS48C L                                    | GATE CLOSER CAM- ACTION               | 1200 mm                 | 1150 mm             | 2             | BLACK<br>SILVER<br>WHITE |
| GTS48C F                                    | GATE CLOSER CAM- ACTION               | 1350 mm                 | 1200 mm             | 3             | BLACK<br>SILVER<br>WHITE |
| GTS48C P                                    | GATE CLOSER CAM- ACTION               | 1600 mm                 | 1500 mm             | <b>3 PLUS</b> | BLACK<br>SILVER<br>WHITE |
| REPLACEMENTS ITEMS WITH PLATE INCLUDED AC11 |                                       |                         |                     |               |                          |
| GTS48C L RF                                 | CAM- ACTION<br>PLATE RETROFIT<br>AC11 | 1200 mm                 | 1150 mm             | 2             | BLACK<br>SILVER<br>WHITE |
| GTS48C F RF                                 | CAM- ACTION<br>PLATE RETROFIT<br>AC11 | 1350 mm                 | 1200 mm             | 3             | BLACK<br>SILVER<br>WHITE |
| GTS48C P RF                                 | CAM- ACTION<br>PLATE RETROFIT<br>AC11 | 1600 mm                 | 1500 mm             | <b>3 PLUS</b> | BLACK<br>SILVER<br>WHITE |

## COATED WITH STRONG RESISTANCE CORROSION PAINT



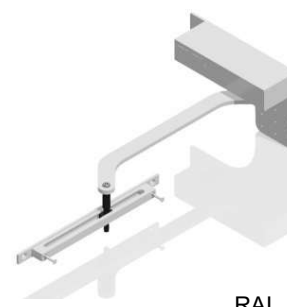
BLACK

RAL  
9017



SILVER

RAL  
9006



WHITE

RAL  
9010

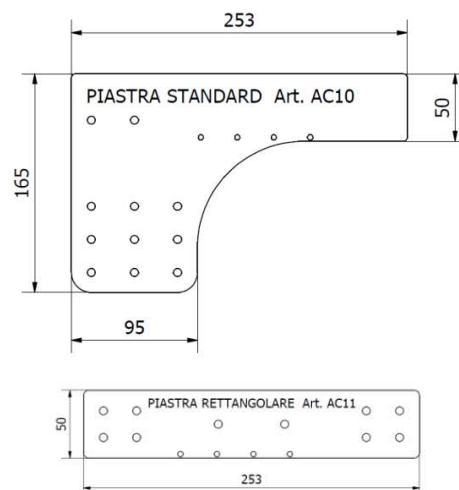
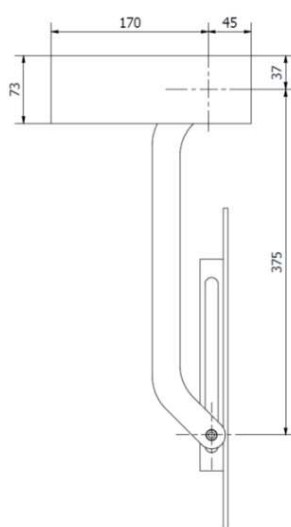
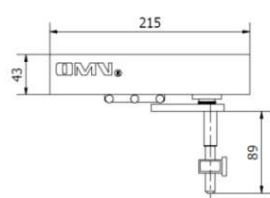
### HOW TO ORDER:

- TO ORDER A GATE CLOSER BLACK VERSION IS ENOUGH TO DESCRIBE THE GATE CLOSER CODE (BLACK VERSION IS STANDARD SERIES).
- TO ORDER A GATE CLOSER WHITE VERSION OR SILVER VERSION THE COLOR SPECIFICATION IT IS DESCRIBED AT THE END OF THE CODE.

#EXAMPLE:

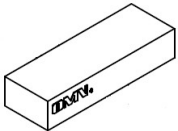
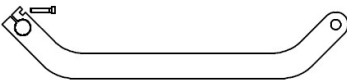
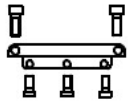

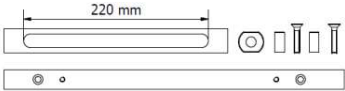
Art. GTS48C L / SILVER RAL 9006

## GATE CLOSER DIMENSION

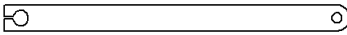
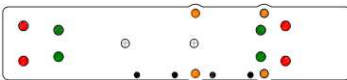
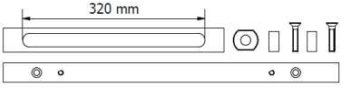
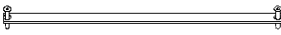

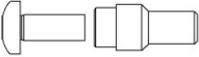
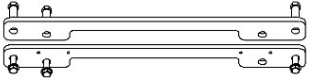


# Art. GTS48C

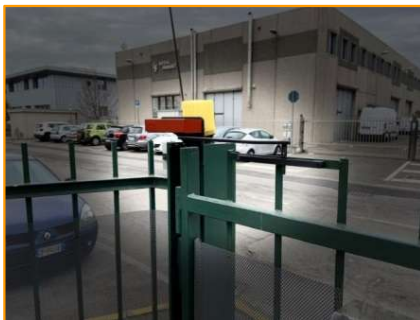
## ACCESSORIES INCLUDED IN THE STANDARD PACKAGE

| ACCESSORY  | ART. | DESCRIPTION             | COMPATIBILITY                                   | COLOR                           |
|--|------|-------------------------|---|---------------------------------|
|   | AC10 | PLATE SUPPORT           | ART. GTS48C L<br>ART. GTS48C F<br>ART. GTS48C P | <b>BLACK</b><br>SILVER<br>WHITE |
|   | AC20 | CARTER                  | ART. GTS48C L<br>ART. GTS48C F<br>ART. GTS48C P | <b>BLACK</b><br>SILVER<br>WHITE |
|    | AC30 | ANGULAR ARM             | ART. GTS48C L<br>ART. GTS48C F<br>ART. GTS48C P | <b>BLACK</b><br>SILVER<br>WHITE |
|   | AC40 | SCREWS AND FIXING BLOCK | ART. GTS48C L<br>ART. GTS48C F<br>ART. GTS48C P | <b>BLACK</b>                    |
|   | AC50 | PIN STANDARD            | ART. GTS48C L<br>ART. GTS48C F<br>ART. GTS48C P | <b>BLACK</b>                    |
|  | AC60 | SLIDING GUIDE           | ART. GTS48C L<br>ART. GTS48C F<br>ART. GTS48C P | <b>BLACK</b><br>SILVER<br>WHITE |

## OPTIONAL ACCESSORIES

| ACCESSORY   | ART.  | DESCRIPTION   | COMPATIBILITY                                   | COLOR                           |
|---|-------|---|---|---------------------------------|
|   | AC31  | STRAIGHT ARM 380mm  | ART. GTS48C L<br>ART. GTS48C F<br>ART. GTS48C P | <b>BLACK</b><br>SILVER<br>WHITE |
|   | AC11  | <b>RETROFIT PLATE</b><br>_FOR REPLACEMENTS ON THE WELDED PLATE<br>_TO REDUCE THE INSTALLATION DIMENSIONS. | ART. GTS48C L<br>ART. GTS48C F<br>ART. GTS48C P | <b>BLACK</b><br>SILVER<br>WHITE |
|   | AC61  | <b>LONG SLIDING GUIDE</b><br>FOR OPENINGS WITH SLED LONG RUN  | ART. GTS48C L<br>ART. GTS48C F<br>ART. GTS48C P | <b>BLACK</b><br>SILVER<br>WHITE |
|  | AC6.1 | <b>REINFORCEMENT SLIDING GUIDE ACCESSORY</b><br><b>FOR AC60</b>   | ART. GTS48C L<br>ART. GTS48C F<br>ART. GTS48C P | <b>BLACK</b><br>SILVER<br>WHITE |
|   | AC6.2 | <b>REINFORCEMENT SLIDING GUIDE ACCESSORY</b><br><b>FOR AC61</b>   | ART. GTS48C L<br>ART. GTS48C F<br>ART. GTS48C P | <b>BLACK</b><br>SILVER<br>WHITE |
|  | AC51  | PIN SERIES SMALL  | ART. GTS48C L<br>ART. GTS48C F<br>ART. GTS48C P | <b>BLACK</b>                    |
|  | AC70  | MOUNTING PLATE FOR GUIDE RAIL ON THE GATE PROTRUDING BARS   | ART. GTS48C L<br>ART. GTS48C F<br>ART. GTS48C P | <b>BLACK</b><br>SILVER<br>WHITE |

# GTS48C INSTALLATIONS



## AC11 QUICKY REPLACEMENTS

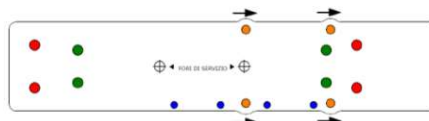
### RETROFIT PLATE FOR OMV GATE CLOSER

#### APPLICATION:

- For replacements on the welded plates.
- Wall installation
- On the reduced space application.

#### ADVANTAGE OF USE:

- Quick replacements in 15 minutes (on the welded plates).
- No need to weld. Is fixed by 4 screws included in the package.
- Reversible for left hand or right hand.
- To reduce the installation dimension.



## AC70

### MOUNTING PLATE FOR GUIDE RAIL ON THE GATE PROTRUDING BARS

#### FIXING ON THE TOP PROTRUDING BARS



- GTS48CL
- GTS48CF
- GTS48CP

AC70

- COMPATIBLE WITH STANDARD SLIDE RAIL AC60
- COMPATIBLE WITH LONG SLIDE RAIL AC61

#### FIXING ON THE INTERMEDIATE BARS



- GTS48CL
- GTS48CF
- GTS48CP

AC70

- COMPATIBLE WITH STANDARD SLIDE RAIL AC60
- COMPATIBLE WITH LONG SLIDE RAIL AC61

#### FEATURES:

- QUICKY INSTALLATION NO WELDING OR DRILLINGS REQUIRES
- INSTALLATION WITH WRENCH 13mm
- COMPATIBLE WITH SLIDE RAIL STANDARD AC60 AND LONG SLIDE RAIL AC61
- SUITABLE FOR HIGH TRAFFIC THANKS TO ITS STRONG STRUCTURE
- COATED WITH STRONG RESISTANCE CORROSION
- TO BE ORDERED SEPARATELY

