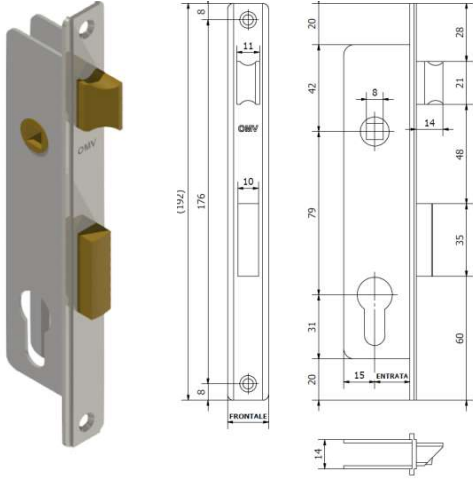


LOCKS FOR FRAME DOORS

SERIE 100 MORTISE LOCKS FOR DOOR FRAME, WITH A CENTRE-TO-CENTRE SPACING OF 79mm

- 2 turn dead-bolt action 18mm
- Reversible latch 14mm, latch retracted with handle



EUROPEO



ART.	FACE PLATE	CASE SIZE	CYLINDERS
100	INOX 20	15	EURO
101	INOX 20	18	EURO
102	INOX 20	22	EURO
103	INOX 25	15	EURO
104	INOX 25	18	EURO
105	INOX 25	22	EURO

OVALE



ART.	FACE PLATE	CASE SIZE	CYLINDERS
124	INOX 20	15	OVAL
125	INOX 20	18	OVAL
126	INOX 20	22	OVAL
127	INOX 25	15	OVAL
128	INOX 25	18	OVAL
129	INOX 25	22	OVAL

KABA



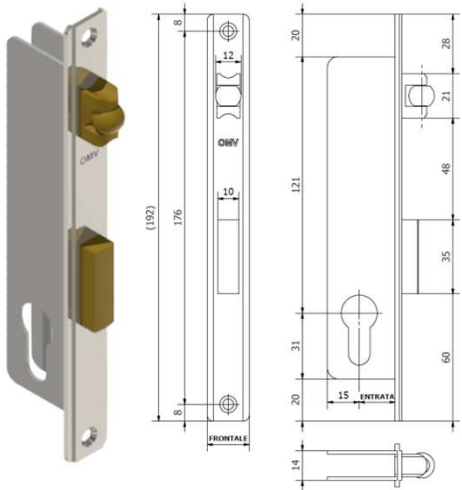
ART.	FACE PLATE	CASE SIZE	CYLINDERS
112	INOX 20	15	KABA
113	INOX 20	18	KABA
114	INOX 20	22	KABA
115	INOX 25	15	KABA
116	INOX 25	18	KABA
117	INOX 25	22	KABA



ART.	FACE PLATE	CASE SIZE	CYLINDERS
136	INOX 20	15	CROSS KEY
137	INOX 20	18	CROSS KEY
138	INOX 20	22	CROSS KEY
139	INOX 25	15	CROSS KEY
140	INOX 25	18	CROSS KEY
141	INOX 25	22	CROSS KEY

SERIE 200 MORTISE LOCKS FOR DOOR FRAME

- 2 turn dead-bolt action 18mm
- Roller 13mm with adjustable protrusion



EUROPEO



ART.	FACE PLATE	CASE SIZE	CYLINDERS
200	INOX 20	15	EURO
201	INOX 20	18	EURO
202	INOX 20	22	EURO
203	INOX 25	15	EURO
204	INOX 25	18	EURO
205	INOX 25	22	EURO

OVALE



ART.	FACE PLATE	CASE SIZE	CYLINDERS
224	INOX 20	15	OVAL
225	INOX 20	18	OVAL
226	INOX 20	22	OVAL
227	INOX 25	15	OVAL
228	INOX 25	18	OVAL
229	INOX 25	22	OVAL

KABA



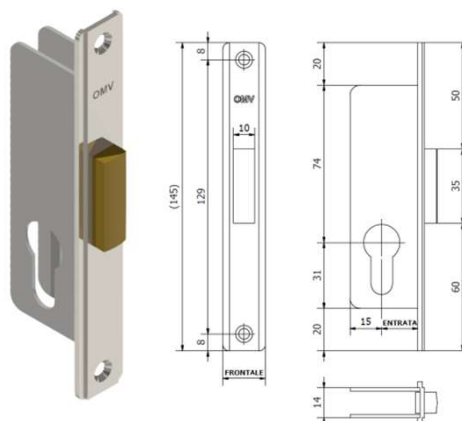
ART.	FACE PLATE	CASE SIZE	CYLINDERS
212	INOX 20	15	KABA
213	INOX 20	18	KABA
214	INOX 20	22	KABA
215	INOX 25	15	KABA
216	INOX 25	18	KABA
217	INOX 25	22	KABA



ART.	FACE PLATE	CASE SIZE	CYLINDERS
236	INOX 20	15	CROSS KEY
237	INOX 20	18	CROSS KEY
238	INOX 20	22	CROSS KEY
239	INOX 25	15	CROSS KEY
240	INOX 25	18	CROSS KEY
241	INOX 25	22	CROSS KEY

SERIE 300 MORTISE LOCKS FOR DOOR FRAME

- 2 turn dead-bolt action 18mm



EUROPEO



ART.	FACE PLATE	CASE SIZE	CYLINDERS
300	INOX 20	15	EURO
301	INOX 20	18	EURO
302	INOX 20	22	EURO
303	INOX 25	15	EURO
304	INOX 25	18	EURO
305	INOX 25	22	EURO

OVALE



ART.	FACE PLATE	CASE SIZE	CYLINDERS
324	INOX 20	15	OVAL
325	INOX 20	18	OVAL
326	INOX 20	22	OVAL
327	INOX 25	15	OVAL
328	INOX 25	18	OVAL
329	INOX 25	22	OVAL

KABA



ART.	FACE PLATE	CASE SIZE	CYLINDERS
312	INOX 20	15	KABA
313	INOX 20	18	KABA
314	INOX 20	22	KABA
315	INOX 25	15	KABA
316	INOX 25	18	KABA
317	INOX 25	22	KABA

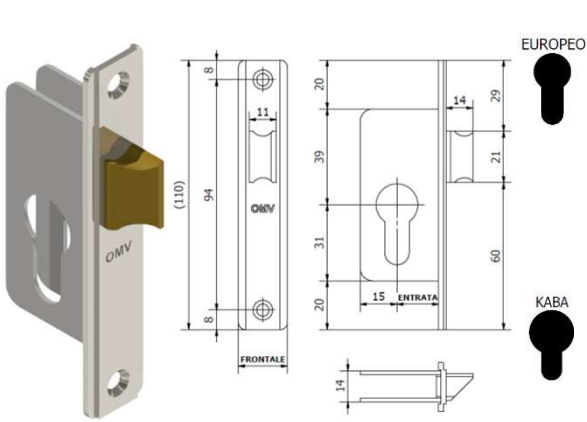


ART.	FACE PLATE	CASE SIZE	CYLINDERS
336	INOX 20	15	CROSS KEY
337	INOX 20	18	CROSS KEY
338	INOX 20	22	CROSS KEY
339	INOX 25	15	CROSS KEY
340	INOX 25	18	CROSS KEY
341	INOX 25	22	CROSS KEY

LOCKS FOR FRAME DOORS

SERIE 400 MORTISE LOCKS FOR DOOR FRAME, LATCH RETRACTED WITH KEY

- Latch reversible 14mm, retracted with key



ART.	FACE PLATE	CASE SIZE	CYLINDERS
400	INOX 20	15	EURO
401	INOX 20	18	EURO
402	INOX 20	22	EURO
403	INOX 25	15	EURO
404	INOX 25	18	EURO
405	INOX 25	22	EURO

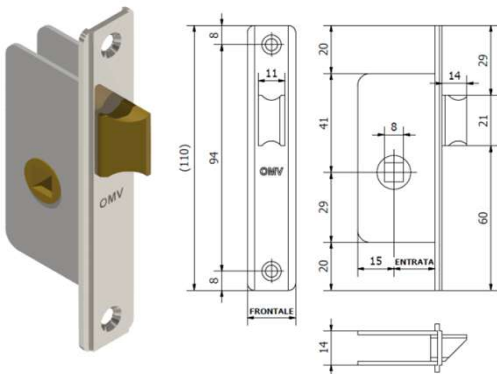
ART.	FACE PLATE	CASE SIZE	CYLINDERS
424	INOX 20	15	OVAL
425	INOX 20	18	OVAL
426	INOX 20	22	OVAL
427	INOX 25	15	OVAL
428	INOX 25	18	OVAL
429	INOX 25	22	OVAL

ART.	FACE PLATE	CASE SIZE	CYLINDERS
412	INOX 20	15	KABA
413	INOX 20	18	KABA
414	INOX 20	22	KABA
415	INOX 25	15	KABA
416	INOX 25	18	KABA
417	INOX 25	22	KABA

ART.	FACE PLATE	CASE SIZE	CYLINDERS
436	INOX 20	15	CROSS KEY
437	INOX 20	18	CROSS KEY
438	INOX 20	22	CROSS KEY
439	INOX 25	15	CROSS KEY
440	INOX 25	18	CROSS KEY
441	INOX 25	22	CROSS KEY

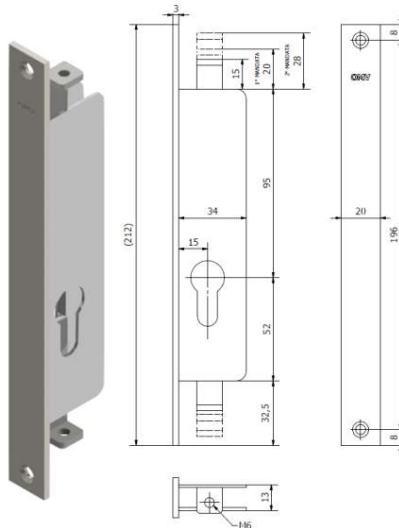
SERIE 500 MORTISE LOCKS FOR DOOR FRAME.

- Latch reversible 14mm, retracted with handle



ART.	FACE PLATE	CASE SIZE
500	INOX 20	15
501	INOX 20	18
502	INOX 20	22
503	INOX 25	15
504	INOX 25	18
505	INOX 25	22

SERIE 700 LOCKS 2 TURN VERTICAL ACTION 13 mm

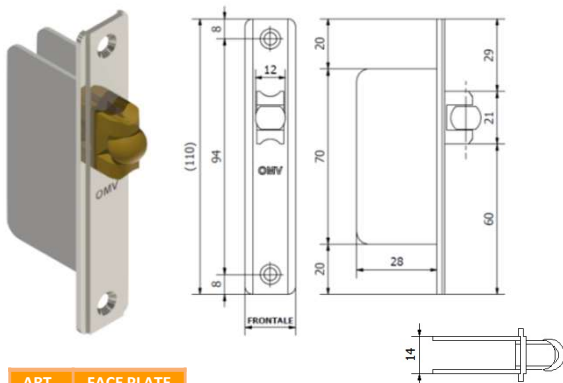


ART.	FACE PLATE	CASE SIZE	CYLINDERS
700	20mm	15	EURO

ART.	FACE PLATE	CASE SIZE	CYLINDERS
701	20mm	15	CROSS KEY

SERIE 600 MORTISE LOCKS FOR DOOR FRAME.

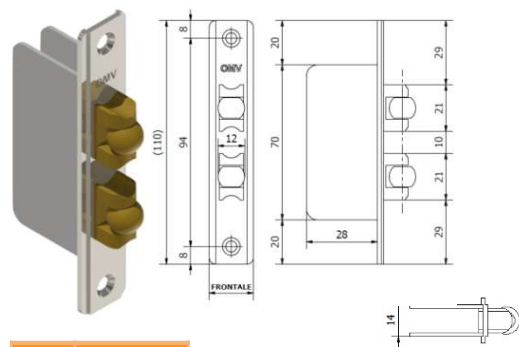
- Roller 13mm, with adjustable protrusion



ART.	FACE PLATE
600	INOX 20
601	INOX 25

SERIE 650 MORTISE LOCKS FOR DOOR FRAME.

- Roller 13mm, with adjustable protrusion



ART.	FACE PLATE
650	INOX 20
651	INOX 25