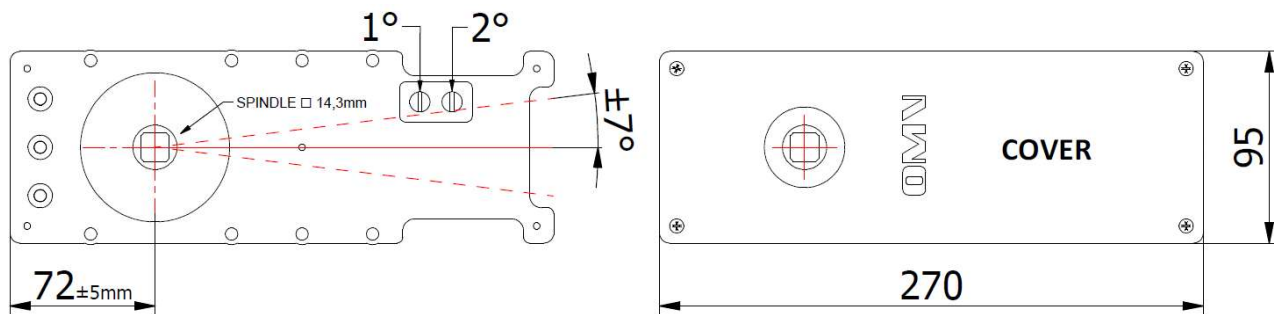


Art. NTS50 PLATE INTEGRATED

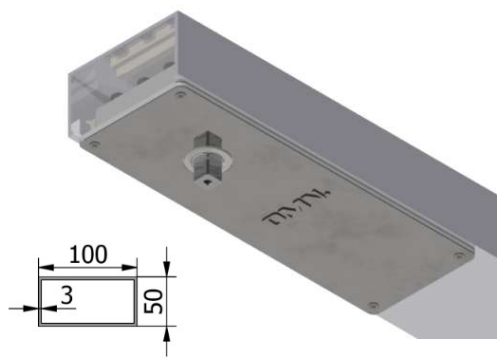
HIDDEN DOOR CLOSER WITH STEEL PLATE COVERED- ALUMINIUM TUBE TRANSOM



1 MILLION CYCLES TESTED
 PATENTED AND TESTED
 IN ACCORDING TO THE EUROPEAN STANDARD
 UNI-EN 1154:2003

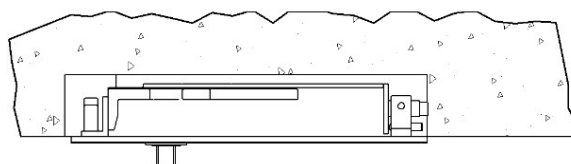


THERMOSTATIC OIL -18°C +50°C
 TESTED TO ENSURE
 STABLE CLOSING TIMES
 TO THE DIFFERENT TEMPERATURE



Possible to install inside to the aluminium transom 100 x 50, by a steel plate attached to the door closer.

- Speed closing valves.
- Door alignment $\pm 7^\circ$ adjustment.
- Cover included in stainless steel / brass polished

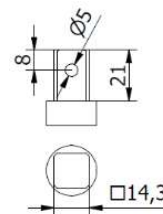


Possible to install directly in the masonry, by a steel plate attached to the door closer.

- Speed closing valves.
- Door alignment $\pm 7^\circ$ adjustment.
- Cover included in stainless steel / brass polished

SERIES	ARTICLES	FORCE	HOLD OPEN	WEIGHT [KG]	WIDTH UP TO [MM]
NTS50C	20950L	F2	90°	100	700-900
	20951L	F2	110°	100	700-900
	20952L	F2	NO STOP	100	700-900
	20950F	F3	90°	120	900-1000
	20951F	F3	110°	120	900-1000
	20952F	F3	NO STOP	120	900-1000
	20950P	F3 PLUS	90°	130	1000-1200
	20951P	F3 PLUS	110°	130	1000-1200
	20952P	F3 PLUS	NO STOP	130	1000-1200
	ARTICLE	DESCRIPTION		FINISH	CODE
		COVER		STAINLESS STEEL	INOX
				POLISHED BRASS	OT.LUX

SPINDLE 21mm



SPINDLE 15mm

