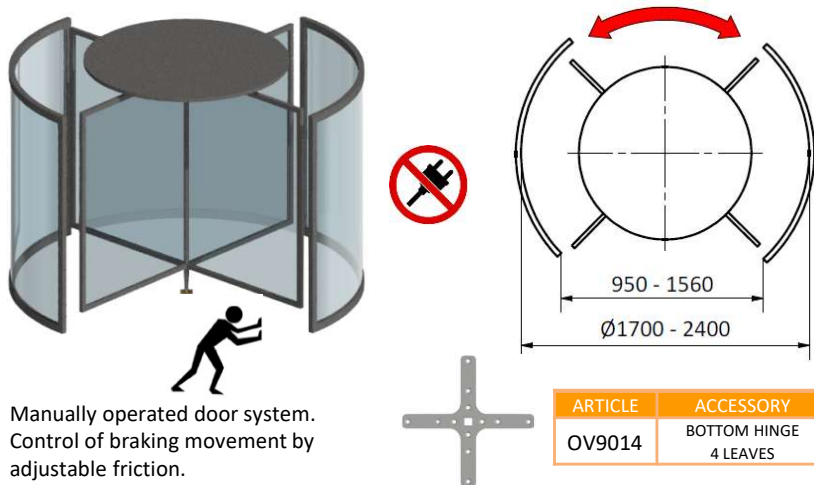


Art. 90100 REVOLVING DOORS

MULTIPLE DOORS - 4 WINGS REVOLVING DOORS



Manually operated door system. Control of braking movement by adjustable friction.

ARTICLE	ACCESSORY
OV9014	BOTTOM HINGE 4 LEAVES

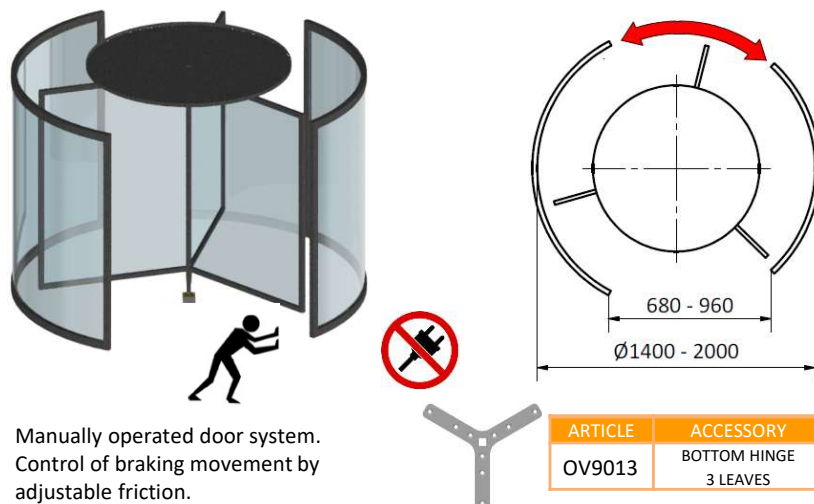
PIVOT DOORS



Manually operated door system. Control of braking movement by adjustable friction.

ARTICLE	ACCESSORY
OV9012	BOTTOM HINGE PIVOT DOOR

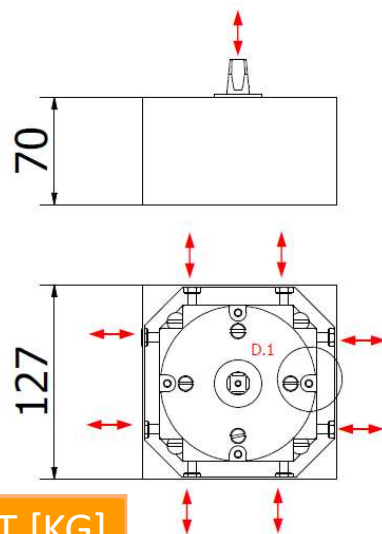
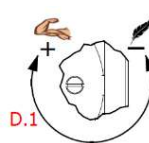
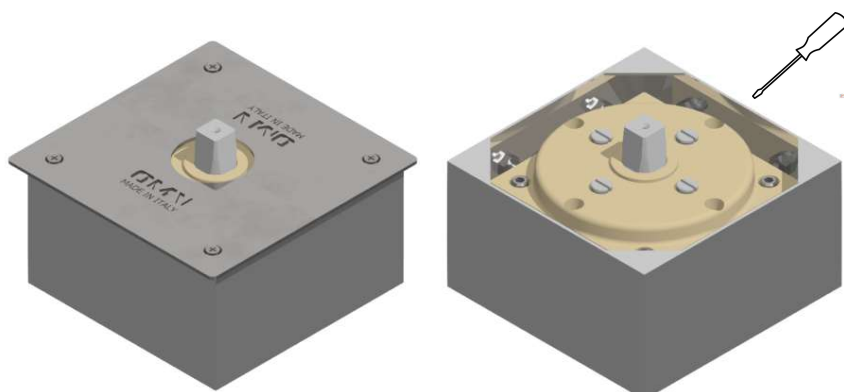
MULTIPLE DOORS - 3 WINGS REVOLVING DOORS



Manually operated door system. Control of braking movement by adjustable friction.

ARTICLE	ACCESSORY
OV9013	BOTTOM HINGE 3 LEAVES

REVOLVING FLOOR FRICTION DEVICE



ARTICLE	DESCRIPTION	DOORS TYPES	WEIGHT [KG]
90100	REVOLVING FLOOR FRICTION	REVOLVING DOORS PIVOT DOORS	400-500